

SFP-10G Series

1-port 10 Gigabit Ethernet SFP+ modules



Features and Benefits

- Digital Diagnostic Monitor Function
- Compliant with IEEE 802.3ae
- SFF-8432 SFP+ MSA compliant
- Hot pluggable LC duplex connector
- Class 1 Laser International Safety Standard IEC 825 compliant
- RoHS compliant

Certifications



Introduction

The SFP-10G Series 1-port 10 Gigabit Ethernet SFP+ modules are available as optional accessories for a wide range of Moxa switches.

Specifications

Ethernet Interface

10G Ethernet Ports	1					
Connectors	Duplex LC connector					
Optical Fiber			10G Ethernet SFP			
			SFP-SR	SFP-LR	SFP-ER	
	Transceiver Type		Multi-Mode	Single-mode	Single-mode	
	Fiber Cable Type		OM1	OM3	G.652	G.652
	Typical Distance		33 m	300 m	10 km	40 km
	Wavelength	Typical (nm)	850		1310	1550
		TX Range (nm)	840 to 860		1260 to 1355	1530 to 1565
		RX Range (nm)	840 to 860		1260 to 1600	1260 to 1600
	Optical Power	TX Range (dBm)	-1 to -5		-8.2 to +0.5	-1 to +2
		Max. Rx (dBm)	+0.5		+0.5	-1
		Link Budget (dB)	8.3		7.4	15
		Dispersion Penalty (dB)	3.9		3.2	3
	<p>Note: When connecting the SFP-ER, we recommend using an attenuator to prevent damage caused by excessive optical power.</p> <p>Typical Distance: To reach the typical distance of specified fiber transceiver, please refer to formula: Link budget(dB) > dispersion penalty(dB) + total link loss(dB)</p>					

Power Parameters

Power Consumption	Max. 1.5 W
-------------------	------------

Environmental Limits

Operating Temperature	0 to 60°C (32 to 176°F) Note: When the SFP-10GERLC is used with the ICS-G7750A/G7752A/G7850A/G7852A series, the operating temperature is 0 to 55°C (32 to 131°F)
Storage Temperature (package included)	-40 to 85°C (-40 to 185°F)
Ambient Relative Humidity	5 to 95% (non-condensing)

Standards and Certifications

Safety	CE, FCC, TÜV, UL 60950-1
--------	--------------------------

Warranty

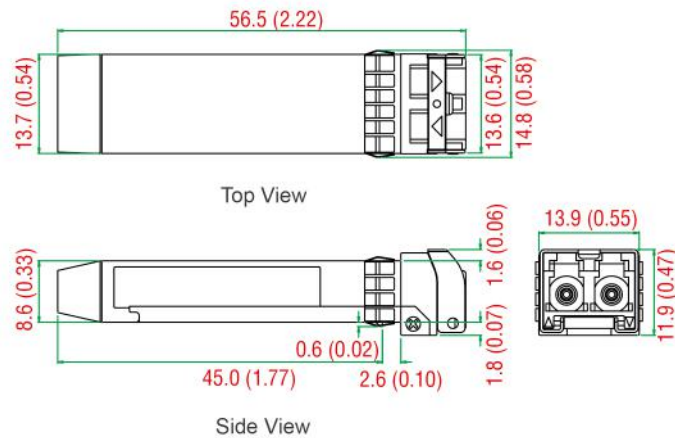
Warranty Period	5 years
Details	See www.moxa.com/warranty

Package Contents

Device	1 x SFP-10G Series module
Documentation	1 x warranty card

Dimensions

Unit: mm (inch)



Ordering Information

Model Name	Ports	Connector	Transmission Distance	Operating Temp.
SFP-10GSRLC	1 x 10GBase-SR, multi-mode	LC	33 m/300 m	0 to 60°C
SFP-10GLRLC	1 x 10GBase-LR, single-mode	LC	10 km	0 to 60°C
SFP-10GERLC	1 x 10GBase-ER, single-mode	LC	40 km	0 to 60°C

© Moxa Inc. All rights reserved. Updated Nov 12, 2018.

This document and any portion thereof may not be reproduced or used in any manner whatsoever without the express written permission of Moxa Inc. Product specifications subject to change without notice. Visit our website for the most up-to-date product information.